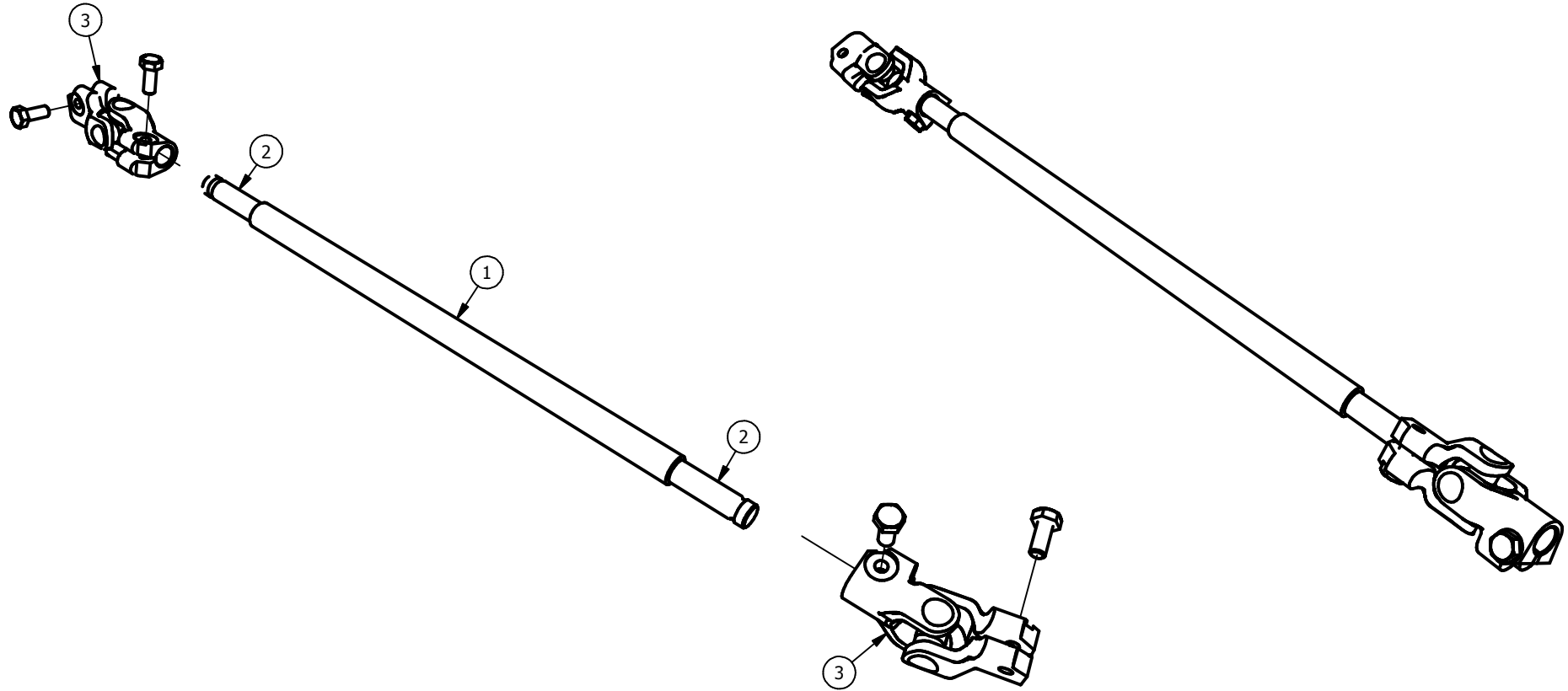
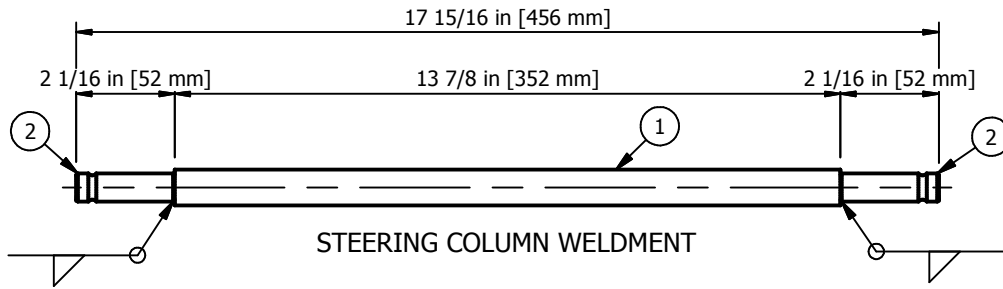


PARTS LIST				
ITEM	QNTY	DESCRIP	PART	WT (LBS)
1	1	ROUND BAR	3/4" DIA X 13-7/8" LONG	1.74
2	2	STEERING SPLINE STUB	DAN'S PERF. # 14-425244	0.31
3	2	STEERING U-JOINT	DAN'S PERF. # 01-00-3149-0	1.63



Design By	BCH	Drawing Title	STEERING SYSTEM STEERING COLUMN #2 DETAILS	
Date	06/16/2009	Scale	NTS	
Sheet	2 of 2	Drawing Number	STSY-002	Revision No. 01